

High Power Circulator, 780/808/840/850/905/940nm

Features

Low Insertion Loss
High Return Loss
High Isolation
High Stability & Reliability

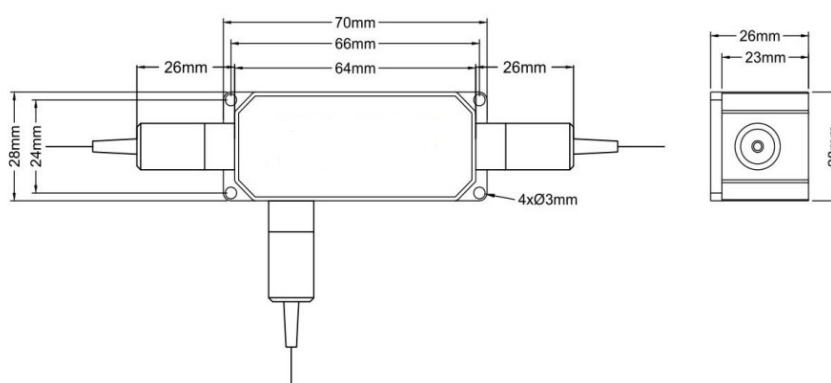
Applications

Fiber Amplifier
Testing Instrument
Fiber Sensor
Medical Equipment

Specifications

Parameters	Unit	Value
Center Wavelength	nm	780, 840, 850, 808, 905, 940
Operating Wavelength Range	nm	±10
Typ. Peak Isolation	dB	23
Max. Isolation at 23°C	dB	20
Typ. Insertion Loss at 23°C	dB	1.3
Max. Insertion Loss at 23°C	dB	1.5
Max. Polarization Dependent Loss at 23°C, only for PI	dB	0.15
Min. Extinction Ratio at 23°C, only for PM	dB	20
Min. Return Loss(Input/ Output)	dB	40
Min. Cross Talk	dB	40
Fiber Type:		HI780 or MM50/125 fiber, or Specified
Max. Average Optical Power	W	Total: 10 (Including Port 1 & Port 2)
Max. Peak Power for ns Pulse	kW	10
Max. Tensile Load	N	5
Package Dimension	mm	70x28x26
Operating Temperature	°C	+10~+50
Storage Temperature	°C	0~+60

Package Dimensions



Ordering Information

HPCIR/HPMCIR-1111-23456-77

1064	Center Wavelength:	850=850nm
------	--------------------	-----------

深圳市深建通信科技有限公司

2	-Axis Alignment for PM:	F=Slow axis working, Fast axis blocked, B=Both of axis working, N=No axis
3	-Fiber Type:	0=MM50/125 fiber,S=Specified
4	-Pigtail Type:	0=250 μ m bare fiber, 1=900 μ m loose tube
5	-Fiber Length:	0=0.8m,1=1m
6	-Package Dimension:	0=70x28x26mm, S=Specified
77	-Handling Power:	00=500mW, 01=1W, 02=2W,....., 05=5W, 10=10W

E-mail: sales@shenjiantx.com

Web : <http://www.shenjiantx.com>