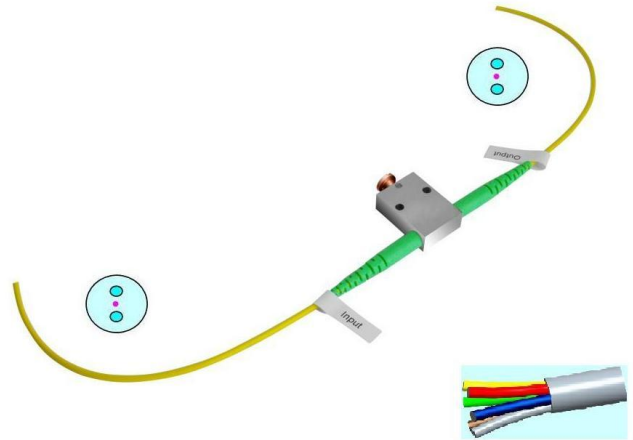


High Power Polarization Maintaining Mechanical Variable Optical Attenuator (HPMVOA-1315&9806, 1~10W)

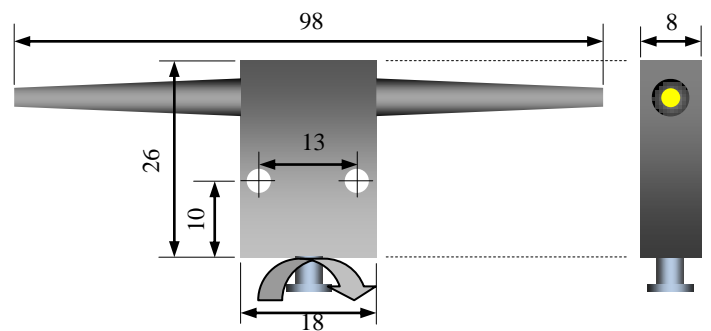
1. Features:

- Low insertion loss
- High Attenuation
- High Power Handling
- Excellent environmental stability and reliability



2. Applications:

- Fiber Laser
- Fiber Sensor
- Communication System
- Test Instrumentations
- Polarization maintaining optical system



3. Compliance:

- Telcordia GR-1209-CORE
- Telcordia GR-1221-CORE
- RoHS

4. Specifications:

Parameter	Type	Unit	Values			
			P	A	P	A
Center Wavelength		nm	1310 & 1550		980 & 1060	
Operating Wavelength Range		nm	± 40		980±20 or 1060±30	
Max. Original loss		dB	0.5	0.6	0.6	0.7
Attenuation range		dB	0.5 ~ 60	0.6 ~ 50	0.6 ~ 60	0.7 ~ 50
Extinction Ratio (Typical)		dB	≥20 (22)		≥20 (22)	
Return Loss		dB	≥50		≥50	
Adjustment Precision		dB	0.02			
Max. Power Handling @CW		W	1,3,5,10 or specify			
Tensile Load		N	≤5			
Fiber Type		/	SM98-PS-U25A, SM13-PS-U25A or SM15-PS-U25A			
Dimensions		mm	26× 18× 8			
Operating Temperature		°C	-5 to +70			
Storage Temperature		°C	-40 to +85			

*The specifications are w/o connector.

* For devices with connectors, 0.3dB higher for IL, 5dB lower for RL and 2dB lower for ER.

* For device with connector, key aligned to slow axis.

5. Product Ordering information:

HPPMMVOA	X	X	X X	X	X	XX	XX	XX
Product Description	Power	Grade	Operating Wavelength	Pigtail Type	Fiber Type	Input & Output Connector Type	Package Size	Fiber Length
HPPMMVOA	1=1W	P	06=1064nm	0=250um	0=SMF-28e	0=None	26=26X18X8	05=0.5m
	3=3W	A	13=1310nm	1=900um	1=HI1060	1=FC/UFC		08=0.8m
	5=5W		15=1550nm		2=PM98	2=FC/APC		10=1.0m
		98=980nm		3=PM15	3=SC/UPC		12=1.2m
					4=PM13	4=SC/APC		
						5=LC/UPC		
						6=LC/APC		

深圳市深建通信科技有限公司

E-mail: sales@shenjianx.com
Web : <http://www.shenjianx.com>